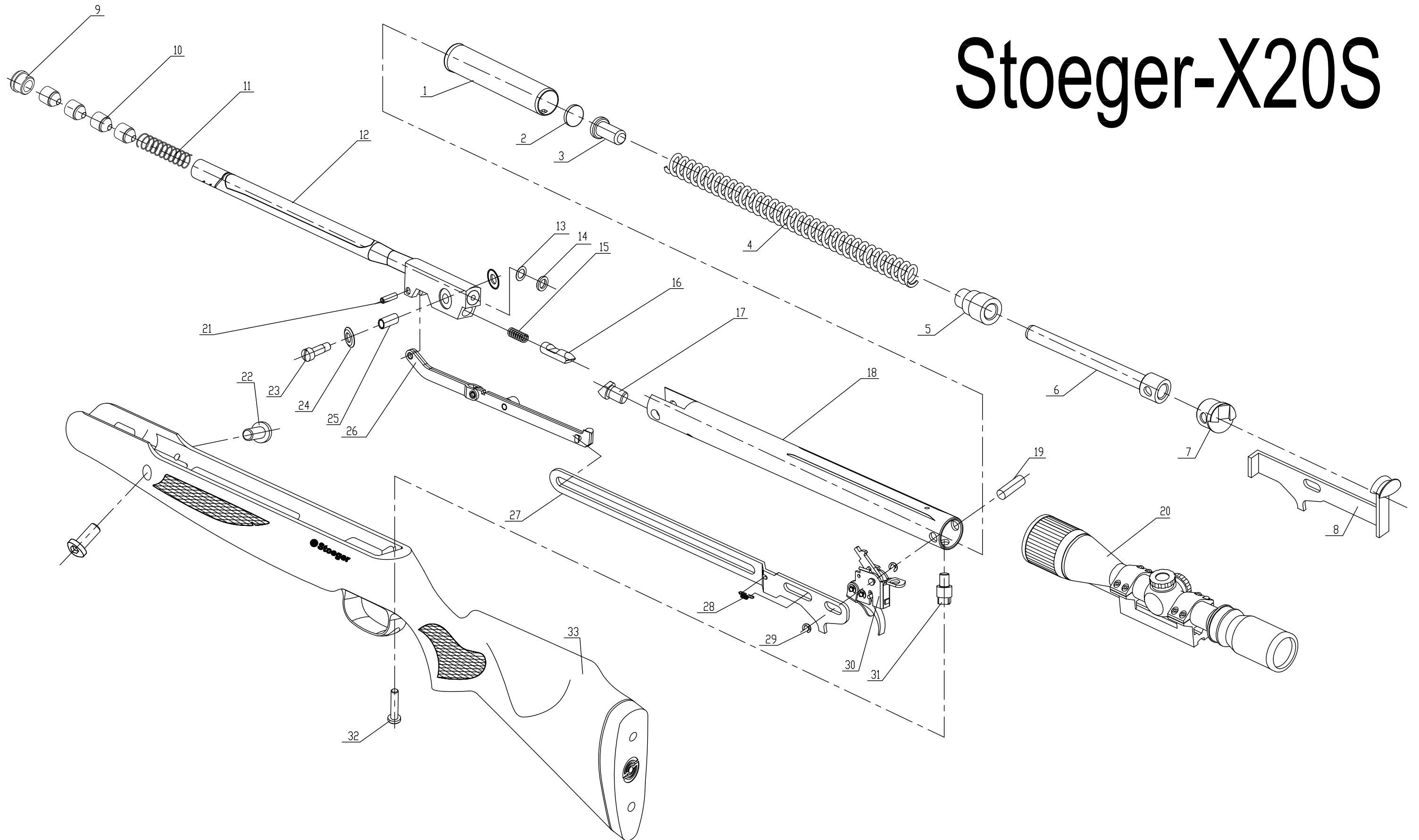


Stoeger-X20S



No.	Code Name	Part Name	X20S Beretta	X20S Benellia	Easy-broken parts 2% free		Revised Date
1	B18-04-00	Piston Assembly	1	1	Y		
2	B19-21-00-4	Washer		1	Y		
3	B19-19-00-2	Spring Guide	1	1			
4a	B3-00-7B(7.5J)	Piston Spring	1	1		just for the model which remark "7.5J"	
4b	B19-4-00-4(10J)	Piston Spring	1	1	Y	just for the model which remark "10"	
4c	B19-00-4B(16J)	Piston Spring	1	1	Y	just for the model which remark "16J"	
4d	B18-00-4D(max)	Piston Spring	1	1	Y		
5	B18-00-6	Spring Guide Cross Pin	1	1			
6	B19-00-100	Spring Guide Assembly	1	1			
7	B19-19-00-4	Tube Cover	1	1	Y		
8	B19-19-07-00	Safety Assembly	1	1	Y		
9	B19-21-00-1	Sleeve Cover	1	1	Y		
10	B19-21-00-2	Silencer Muzzle	4	4			
11	B19-21-00-3	Silencer Spring	1	2			
12a	B19-21-01-100	Barrel Assembly 4,5mm	1	1		just for the model which remark cal 4,5mm	
12b	B19-21-01-100(5.5)	Barrel Assembly 5,5mm	1	1		just for the model which remark cal 5.5mm	
13	B22-00-1	Adjust Washer	0-2	0-2			
14	B12-00-14	Breach Seal	1	1	Y		04-24-10
15	B18-00-3A	Spring	1	1			
16	B18-01-2B	Alive Jam	1	1	Y		
17	B18-00-2	Detent	1	1			
18	B19-21-02-00	Tube Assembly	1	1			
19	B18-00-7	Tube Pin	1	1			
20	CRG4X32	Scope with 2 rings mount	1	1		just for X20S which remark "combo"	
21	B22-00-11A	Detent Pin	1	1	Y		
22	GB/T 818-2000 M5X14	Pan Head Screws - nylok	2	2	Y		
23	B19-2-00-2	Break Bolt	1	1			
24	B18-00-15A	Break Washer	2	2	Y		
25	B18-01-1C	Break Bushing	1	1			
26	B18-07-00A	Lever Assembly	1	1			
27	B18-00-5B	Beartrap Lever	1	1	Y		
28	B18-00-12A	Beartrap Spring	1	1			
29	GB896-86 3	Beartrap Bolt	2	2	Y		
30	B19-19-05-00	Trigger Pack Assembly	1	1			
31	B18-00-9	Stock Bolt	1	1	Y		
32	GB 823-88	Small pan head screws	1	1	Y		
33	B19-19-a-06-00	Synthetic Stock Assembled	1	1		Include one Stock pad and two screws	